

SEVENOAK®



SK-PSC1 Smart Grip

Features:

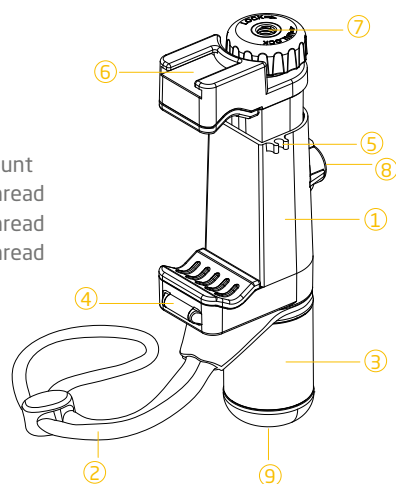
Small, compact, easy to use and carry
Adjustable height
Holds your device tightly
An ultimate tool for serious smartphone photography
Compatible with virtually any smartphone model
Can be used as a Tripod Mount, Filmmaker Grip, and Traveler Stand
Made for avid smartphone photographers, filmmakers, journalists, sports and travelers

Specifications:

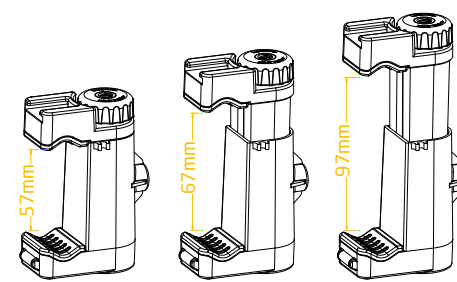
1. Product over all height: 12.9cm
2. Max height of the phone holder part: 9.7cm
3. Min height of the phone holder part: 5.7cm
4. Made by plastic and aluminum
5. Net weight: 164g

Components:

1. Main Body
2. Hand strap
3. Hand grip
4. Bubble level
5. Cable fix slot
6. Cold shoe mount
7. 1/4" screw thread
8. 1/4" screw thread
9. 1/4" screw thread

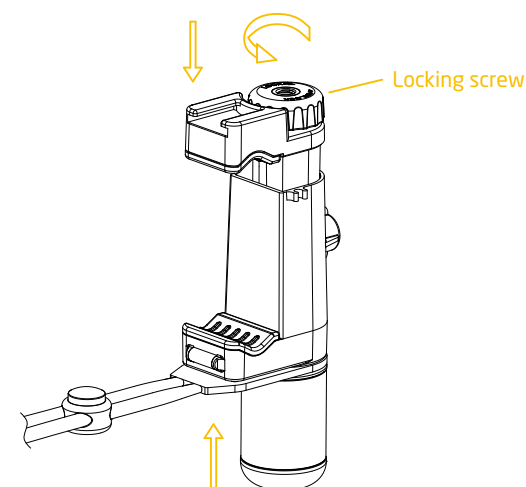


Adjustable height for different phone sizes



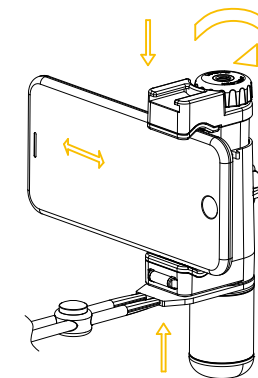
Start To Use:

Step 1:
Press the cold shoe mount, meanwhile turn the locking screw counter clockwise till the height is suitable for your phone.



Step 2:

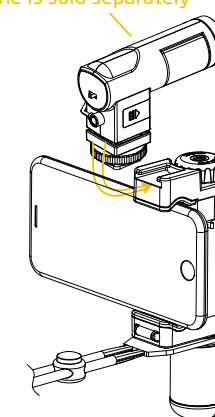
Insert your phone to the holder, press the cold shoe mount and meanwhile turn the locking screw clockwise to lock the holder tightly to ensure the phone is secured. It is ready to use now.



Optional: Use SK-PSC1 with other accessories

1. Mount an external microphone (with cold shoe mount) onto the cold shoe mount on SK-PSC1, lock the microphone tightly.

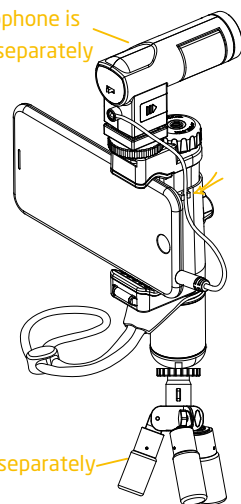
Microphone is sold separately



© 2016 Sevenoak Inc. Visit us on the web at www.sevenoak.biz

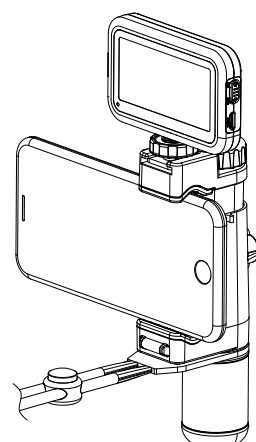
2. Mount SK-PSC1 to a tripod with the built in 1/4 screw thread at the bottom of the hand grip.

Microphone is sold separately



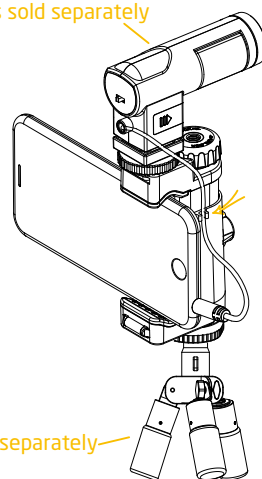
Tripod is sold separately

5. Mount LED light (with cold shoe mount) onto the cold shoe mount on SK-PSC1, lock the LED light tightly



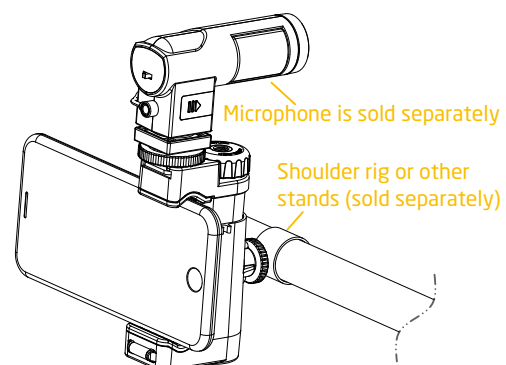
6. Remove the hand grip, SK-PSC1 can be mounted onto the tripod with the built in 1/4" screw at the bottom of the phone holder.

Microphone is sold separately



Tripod is sold separately

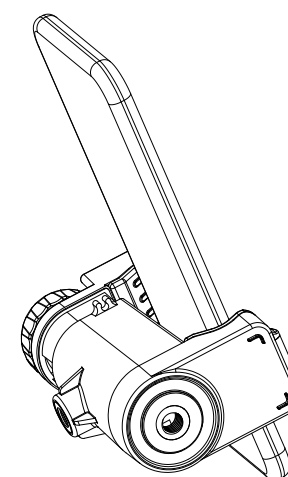
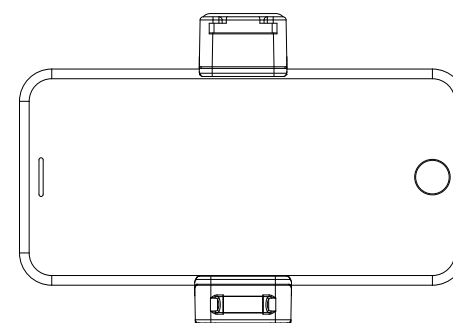
7. With 1/4" screw thread built at the back, SK-PSC1 can be mounted onto other stands as shown in below figure to use your phone to take a short video or use it as a live view monitor for your video shooting.



Microphone is sold separately
Shoulder rig or other stands (sold separately)

Use SK-PSC1 as a stand

Remove the hand grip, SK-PSC1 can be used as a stand for your phone which can be stand vertically or put down as shown in the below picture.



Warnings

- Please read and follow these instructions, and keep this manual in a safe place.
- Handle the unit with care.
- Clean the unit with a soft, dry cloth.
- Use only parts provided by the manufacturer.
- Make sure everything is secure before proceeding.
- Make sure the item is intact and that there are no missing parts.
- Do not exceed the maximum load capacity.
- All photos are for illustrative purposes only.

Limited One-year Warranty

Sevenoak provides a limited warranty that this product is free from defects in materials and workmanship to the original purchaser under normal use for a period of one (1) year from the original purchase date or thirty (30) days after replacement (the "Warranty Period"), whichever occurs later. Our responsibility with respect to this limited warranty shall be limited solely to repair or replacement, at its option, of any product which fails during normal consumer use.

To obtain warranty coverage during the Warranty period, contact your place of purchase ("Seller") to obtain a return merchandise authorization ("RMA") number, and return to Seller the defective product along with proof of purchase and the RMA number.

This warranty does not extend to damage or failure which results from misuse, neglect, accident, alteration, abuse, improper installation or maintenance. Except as provided herein, sevenoak makes neither any express warranties nor any implied warranties, including but not limited to any implied warranty of merchantability or fitness for a particular purpose. This warranty provides you with specific legal rights, and you may also have additional rights which vary from state to state.

© 2016 Sevenoak Inc. Visit us on the web at www.sevenoak.biz