

Sevenoak SK-HD75B series heavy-duty camera sliders are designed to give you the ability to create high-quality videos without over-extending your budget. It features heavy-duty Aluminum construction, height adjustable and foldable feet, 1/4" and 3/8" screw thread, precision bearings etc. It can be used standalone with the included feet whose height can be adjusted easily, or attached directly to tripod(s) with the built-in screw thread. With precision bearings built under the sliding plate, the camera motion is smoother and quieter than ever. The SK-HD75B series camera slider are suitable for amateur cameras, professional cameras as well as for cameras with recording function (such as Canon 7D, Canon 5D Mark II, 5D Mark III, Canon 60D, Canon 500D~550D, Nikon 3100, D7000, Sony A55 etc).

## Features

- Built with precision bearings
- Built-in spirit level
- With tension adjustment/locking knob
- Height adjustable and foldable feet
- Moves smoothly and quietly
- Heavy-duty Aluminum construction
- Can be used standalone or mounted on tripod(s)
- Built-in 1/4" and 3/8" screw holes on the rail
- Available length and max load capacity

Item No	Length (CM)	Max Load capacity (KG)
SK-HD75B	75	15
SK-HD100B	100	10
SK-HD120B	120	8

## Warnings

- Please read and follow these instructions, and keep this manual in a safe place.
- Handle the unit with care.
- Clean the unit with a soft, dry cloth.
- Use only parts provided by the manufacturer.
- Make sure everything is secure before proceeding.
- Make sure the item is intact and that there are no missing parts.
- Do not exceed the maximum load capacity.
- All photos are for illustrative purposes only.

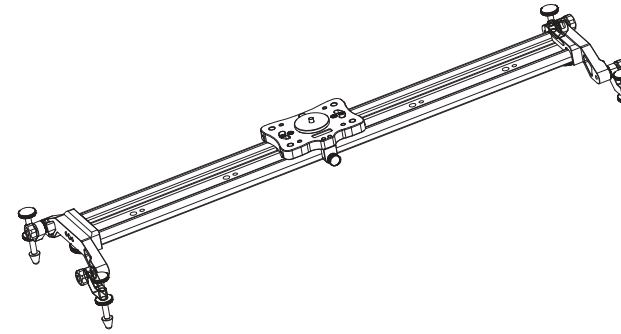
## Limited One-year Warranty

Sevenoak provides a limited warranty that this product is free from defects in materials and workmanship to the original purchaser under normal use for a period of one (1) year from the original purchase date or thirty (30) days after replacement (the "Warranty Period"), whichever occurs later. Our responsibility with respect to this limited warranty shall be limited solely to repair or replacement, at its option, of any product which fails during normal consumer use.

To obtain warranty coverage during the Warranty period, contact your place of purchase ("Seller") to obtain a return merchandise authorization ("RMA") number, and return to Seller the defective product along with proof of purchase and the RMA number.

This warranty does not extend to damage or failure which results from misuse, neglect, accident, alternation, abuse, improper installation or maintenance. Except as provided Herein, sevenoak makes neither any express Warranties nor any implied warranties, including But not limited to any implied warranty of Merchantability or fitness for a particular Purpose. This warranty provides you with specific legal rights, and you may also have additional rights which vary from state to state.

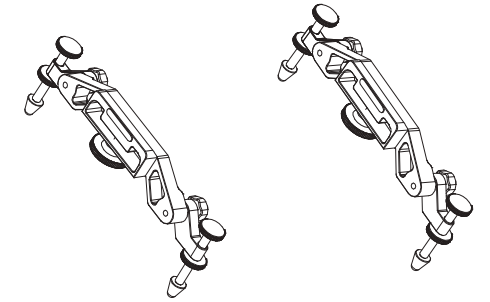
SEVENOAK®



SK-HD75B (Black Color)  
 SK-HD100B (Black Color)  
 SK-HD120B (Black Color)

Heavy-duty Cam Sliders

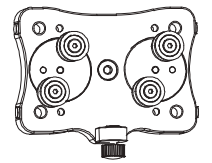
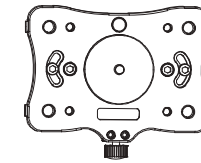
## Components



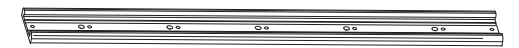
2x mounting feet

Upside

Bottom side



1x Camera mounting platform



1x Sliding rail

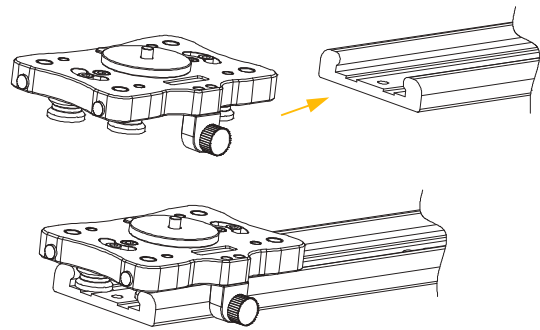
## Assemble the unit

1. Take out this unit from the packaging, attach the camera mounting platform to the slide rail as shown in the below Figures.

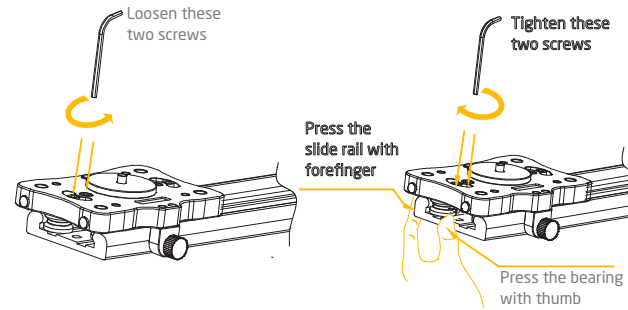
### 1.1 Adjust the tightness of the camera mounting platform

Note: The tightness of the camera mounting platform is set default before shipment, only adjust it if you think there is gap between the camera mounting platform and slide rail.

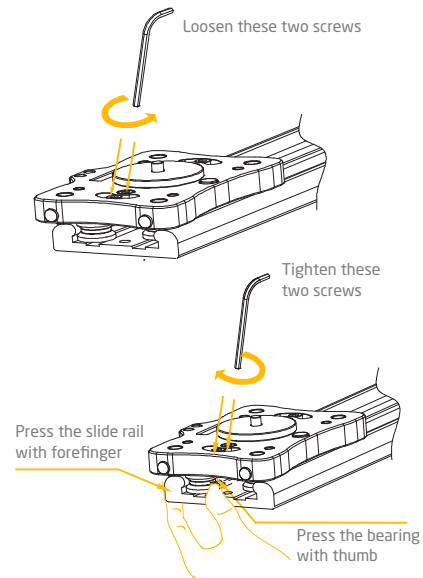
Attach the camera mounting platform to the slide rail, check if the camera mounting platform fits well with the slide rail. If there is gap between the camera mounting platform and the slide rail, please adjust the tightness of the camera mounting platform before you start.



- 1.2 Loosen the screws on the camera mounting platform as shown in the below figure, press the bearing with thumb and press the slide rail with forefinger, make sure the surface of the bearing touches the surface of the slide rail, then fix the screws on the camera mounting platform.

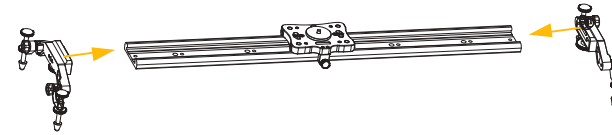


- 1.3 Slide the camera mounting platform to the other side of the slide rail, loosen the screws on the camera mounting platform as shown in the below figure, press the bearing with thumb and press the slide rail with forefinger, make sure the surface of the bearing touches the surface of the slide rail, then fix the screws on the camera mounting platform.

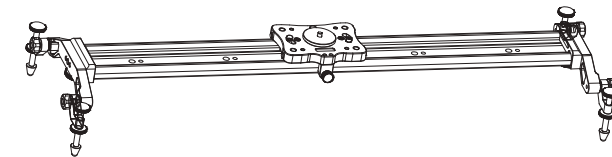


- 1.4 Check if the camera mounting platform fits well with the slide rail, if it is, you are ready to go to the next step.

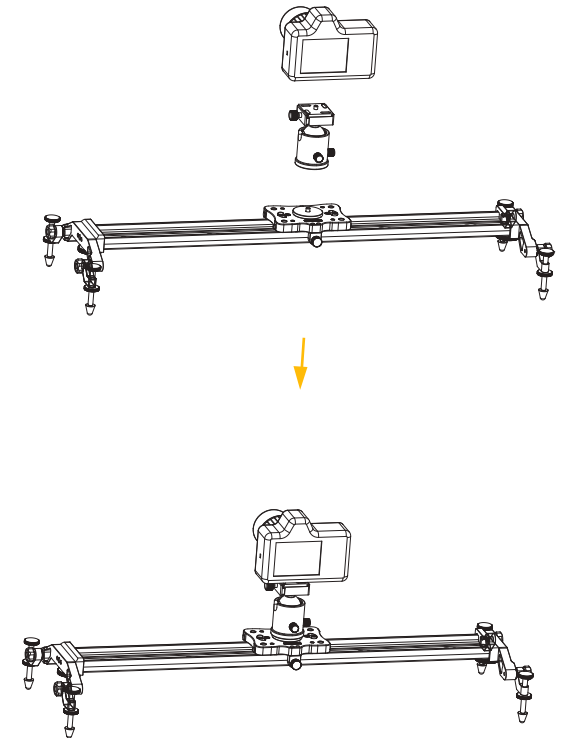
2. Attach one of the foot to one end of the slide rail first, tighten the locking screw. Then attach the other foot to the other end of the slide rail, tighten the locking screw.



3. Adjust the height of the feet with the included screws on the feet, then tighten the screws to make the slider is stable and steady.



4. Mount the ball head (not included) /camera onto the camera mounting platform securely, loosen the screw on the camera mounting platform a bit to make sure the camera mounting platform can move smoothly.



jiayz™

# 深圳市长丰影像器材有限公司

产品/零件名称	SK-HD75B/100B/120B说明书	比例	1:1	版本	V01
工程图号	SK-HD75B/100B/120B说明书V01	物料描述	128G双铜 双面 4折页		
物料编号	1F14015SK0100	尺寸/用量	尺寸: 290*216mm	1PCS	
制图人/日期	吴蒙蒙/2017/7/14	审核/日期			